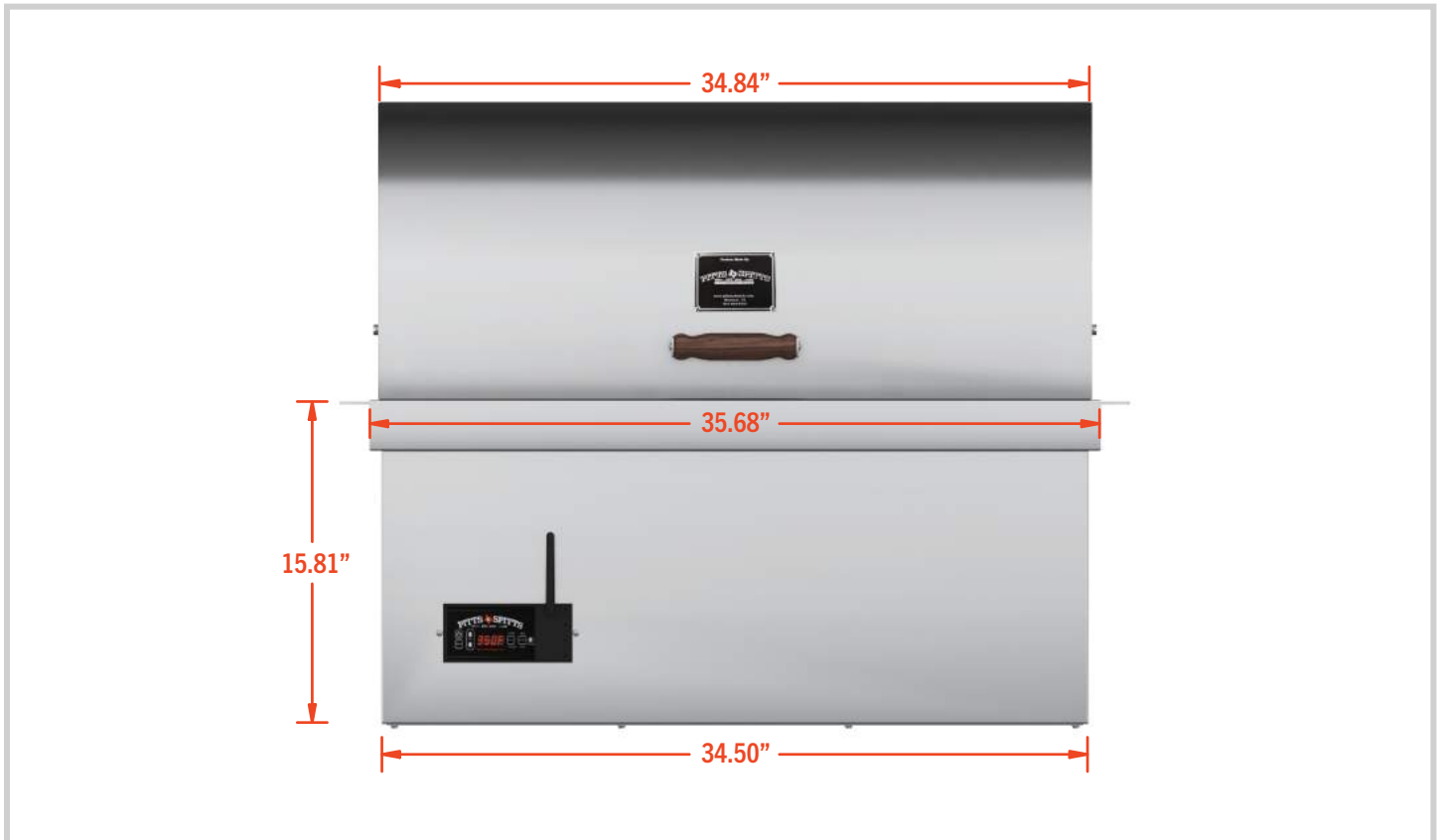
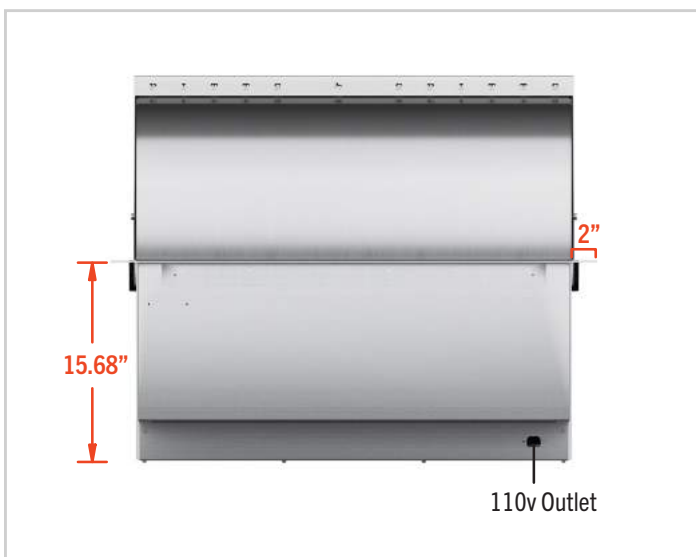


PRODUCT DIMENSIONS

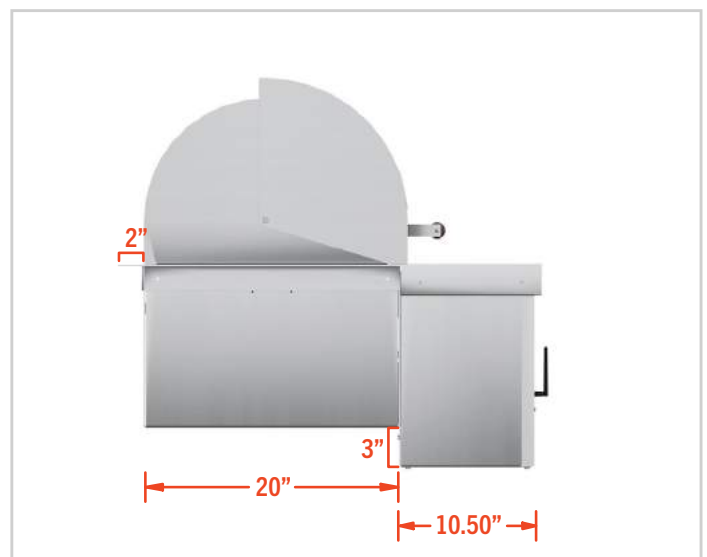
FRONT VIEW



BACK VIEW



SIDE VIEW



HOW-TO-INSTALL

1. Make a cutout in the island according to the dimensions in Diagram A. Since the grill is self-flanging, it will hide any imperfections in the edge after cutting.
2. Rest the first few inches of the flange on the countertop.
3. Connect the supplied 110V power cord to the female receptacle located in the bottom left corner of the rear of the hopper.
4. Plug the power cord into your GFCI-protected outlet in your island.
5. Carefully slide the grill into the island cutout, ensuring the grill is centered between both the left and right sides. Note that 6-7 inches of the hopper will stick out of the island once installed.

Notes: Be mindful of the antenna on the controller.

Pro Tip 1: A 1.5" hole can be used to thread the electrical cord between island compartments, if necessary.

Pro Tip 2: Your outlet can be wired to a light switch above / outside of your island that can be turned off when not in use. This adds an extra layer of protection and safety to your grill.



Grill Cutout

Your grill has a built-in flange, meaning the lip of the grill rests on top of the counter edge around the cutout while the front of the grill is free-hanging from the counter top.

Because of this, there is no need for a trim kit when the cutout is made to our specifications.

1. Maintain 24" clearance from any combustible materials in ANY direction of the grill.
2. If any combustible materials are within 24" distance, you must create a heat barrier like a grill jacket, or other non-combustible type materials like bricks, Hardy Board, or metal.
3. Orient the grill so the prevailing winds are not blowing into the rear or side of grill.

Wind Considerations

While aesthetics are important in positioning your grill in your backyard, it is more important to make sure its location allows it to perform correctly. Wind can have a significant impact on performance.

1. Maintain proper prevailing wind, grill direction with the front of grill facing in to the wind, and the back of the grill in the direction wind is blowing.
2. If the direction of the wind is unclear, or difficult to combat even with preventative measures, then you made need to build a wind break into your kitchen.
3. If wind or breeze is in the direction of back of grill, you will need to build a partition wall of at least the height of the grill so that the top of the grill lid is covered by several inches.

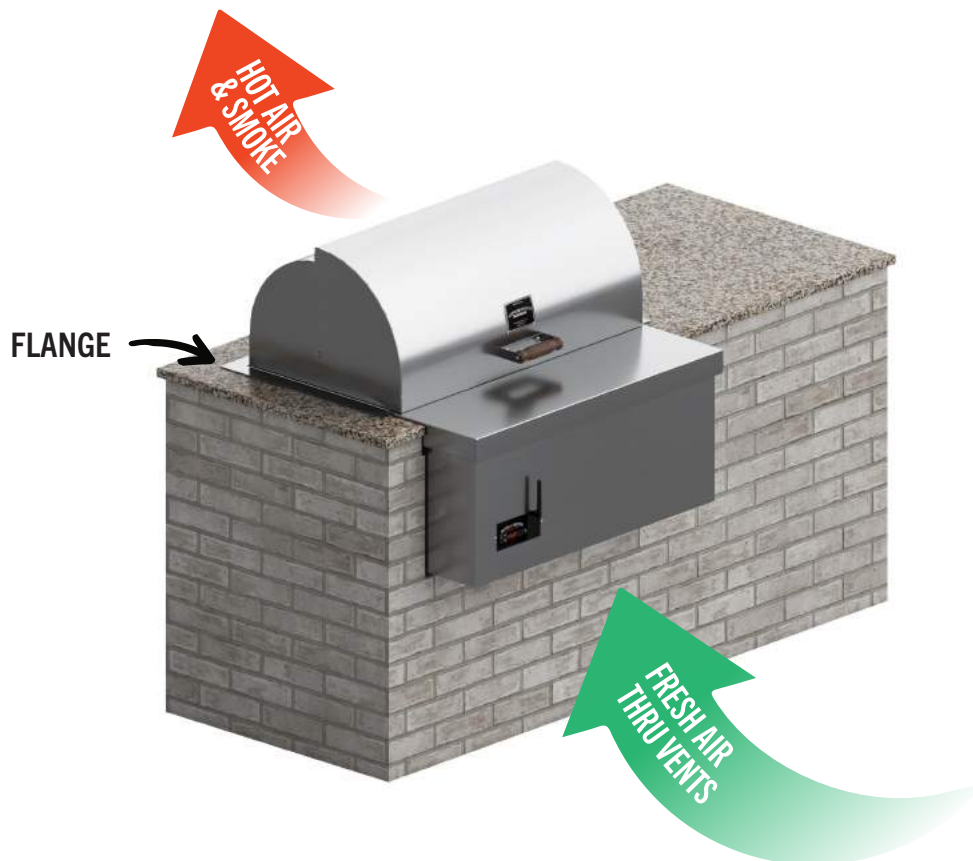
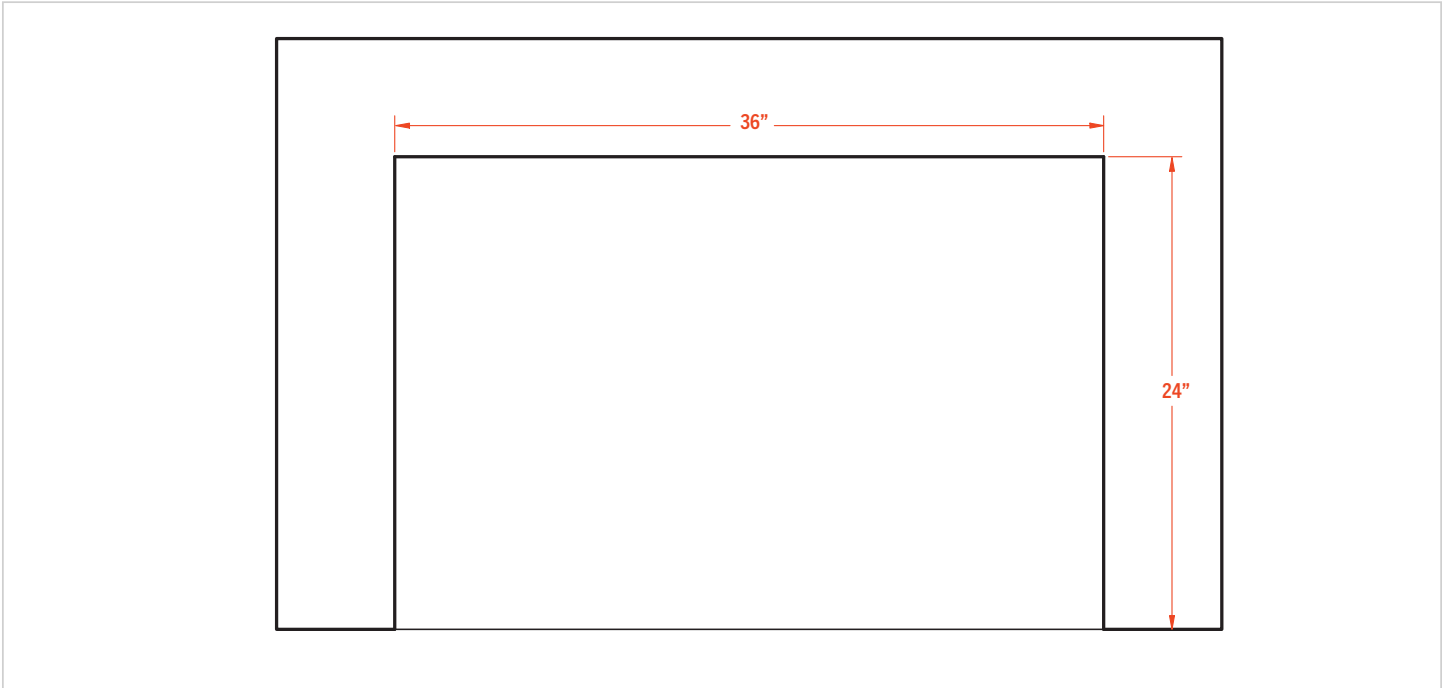


DIAGRAM A

TOP



FRONT

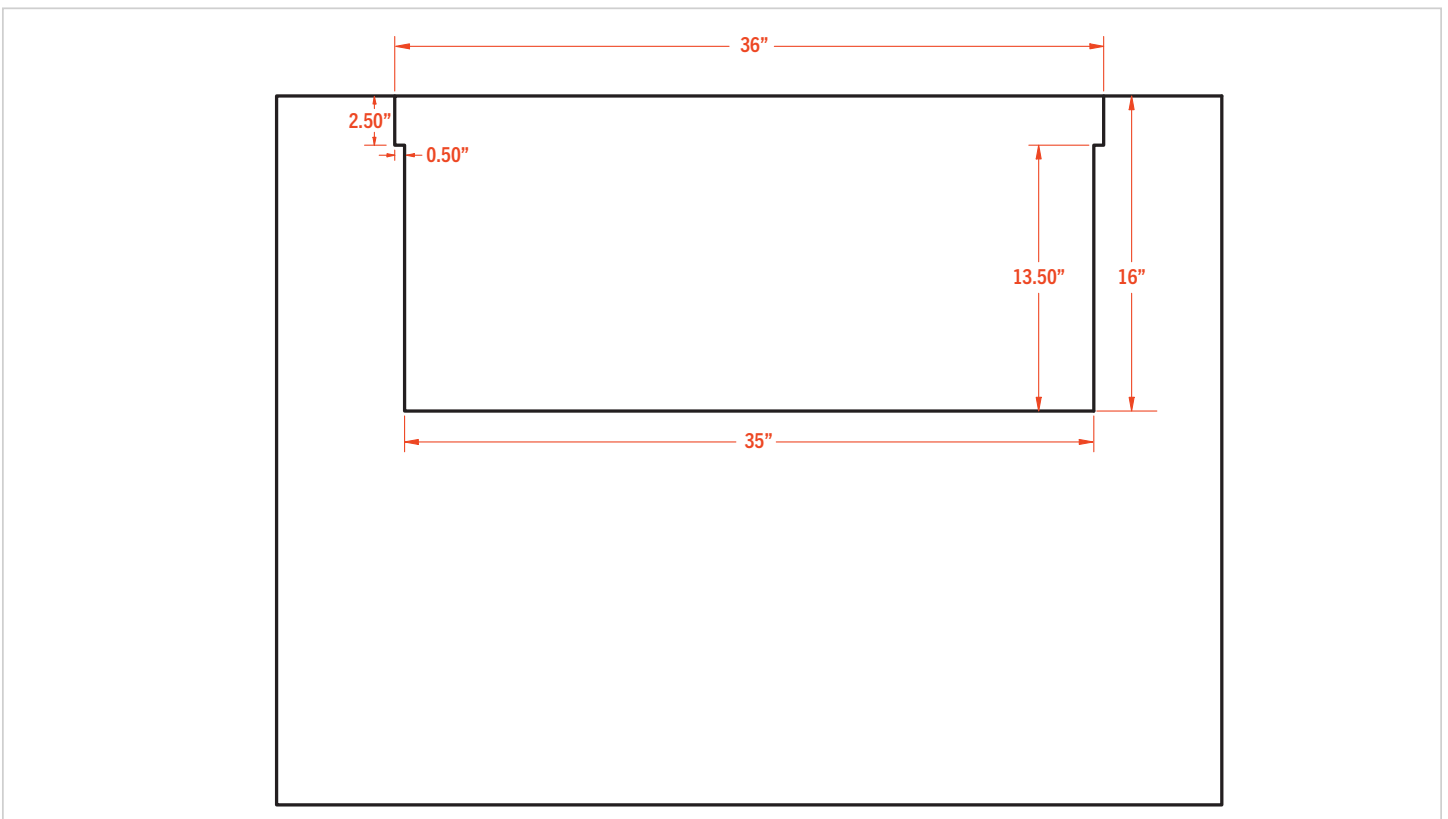


DIAGRAM A

SIDE

